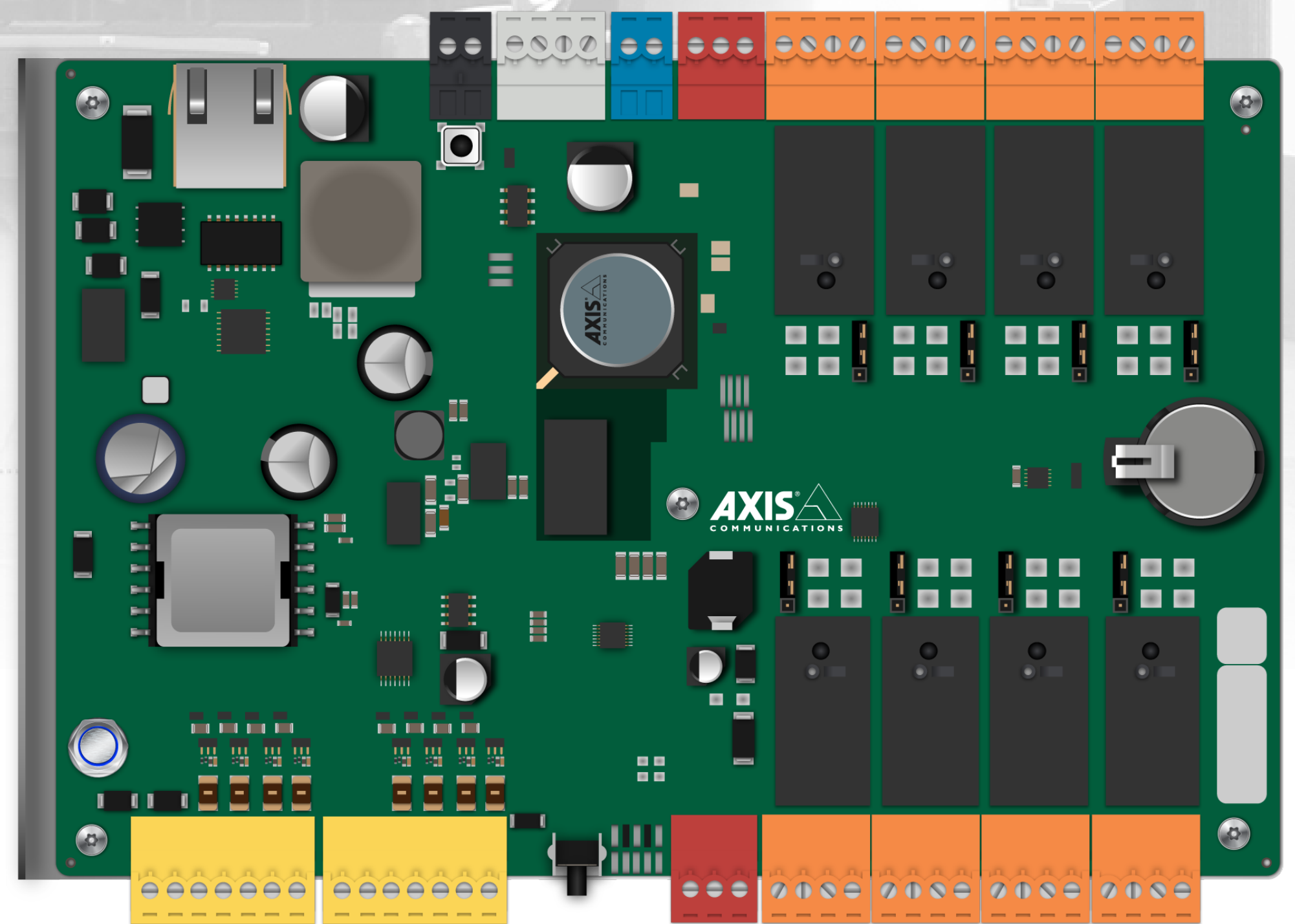


# APPLICATION NOTE

# AXIS & EVTRACK

# IP A9188 I/O UNIT

FOR GATE & DOOR CONTROL



EvTrack integrates seamlessly with Axis Communication's A9188 Input and Output IP Interface Board.

This rugged product features eight programmable input and outputs, as well as 8 mechanical relays. Making it ideal for applications such as estate vehicle boom control, turnstile interfacing and entrance gate opening. Powered from PoE or 12VDC, the A9188 features an ethernet interface and communicates with the EvTrack visitor and access control solution via an AXIS VAPIX interface. This secure method of communication ensures encrypted communication between the I/O device and our EvTrack server.

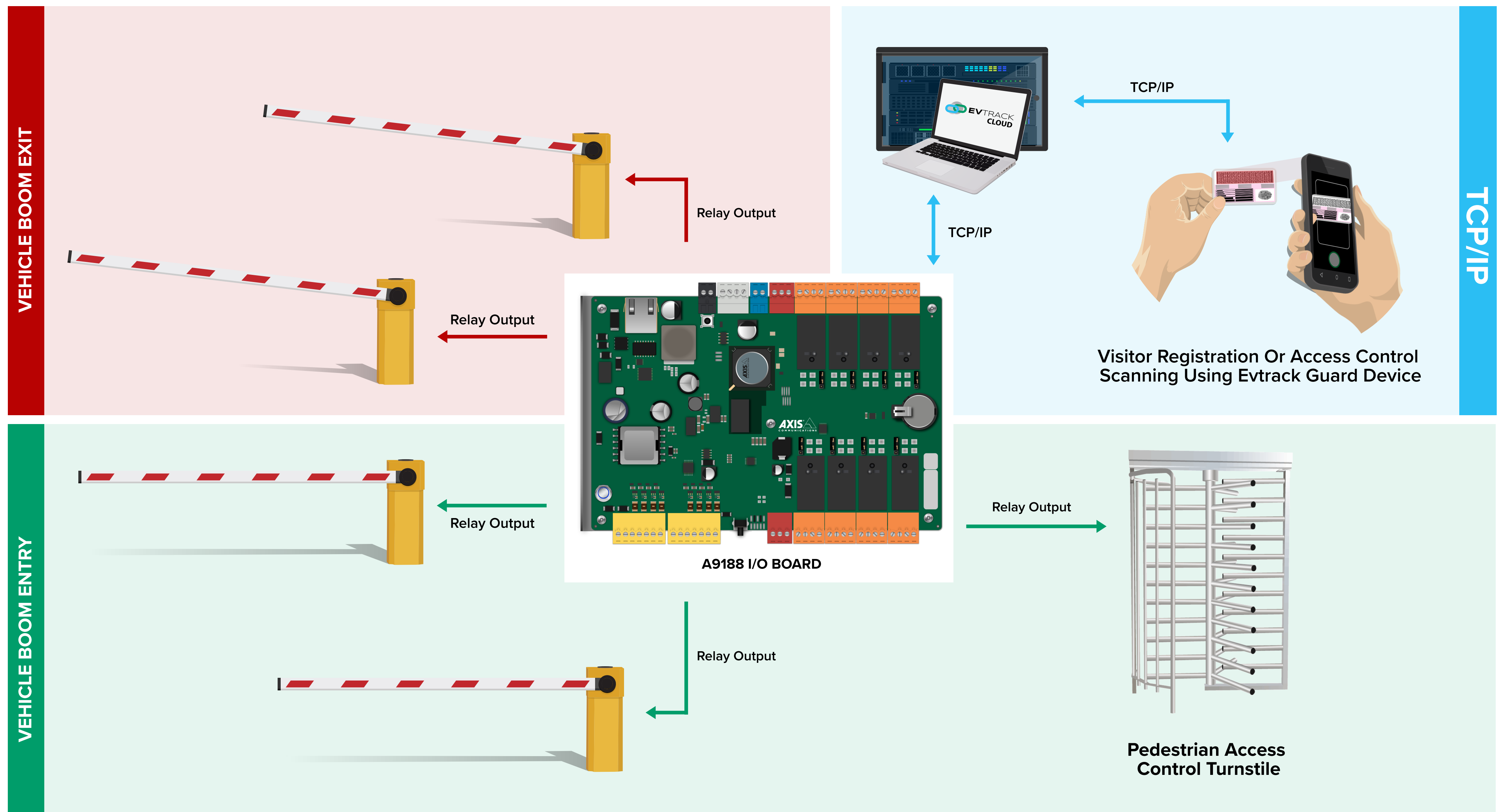
With the A9188, signals can be sent transparently to the access control barrier from a rugged handheld EvTrack guard device once a visitor has been registered and granted access to the site. For a visitor access control requirement for a gated estate or commercial business park a single A9188 can be used to control up to eight vehicle booms or pedestrian gates transparently over TCP/IP.

Other applications for this unit include individual floor elevator access control and delivery fulfillment systems.

## Features

- Rugged IP I/O Board
- 8 Programmable I/Os
- 8 Form C Relays (NO/NC, max 1A @48VDC)
- 12VDC and 24VDC Outputs
- 10/100Mbps Ethernet Interface
- HTTPS Encrypted Communication
- 12VDC or PoE Powered
- Operating Temperature: -30 to 55° C
- Dimensions: 46 x 186 x 120mm

# System Architecture



## About EvTrack

EvTrack is an access control and visitor management software product which provides a solution for permanent or temporary access control applications. It features an eco-system which allows the use of different forms of access control credentials to co-exist within a single platform. The system is managed through an easy-to-use web interface with no plugins required to be installed.

- AXIS and 2N IP Hardware Support
- Support for RFID, QR-Code, Pin, LPR & Face Credentials
- Data analytics showing site access control & visitor activity,
- Cloud Based or On-Premise Server Versions
- Separate Visitor, User & Personnel Databases
- Reports exportable as pdf, Excel or CSV
- Pre-registration web links for easy enrolment
- Visitor Registration via Resident App or Guard Device
- Host Approval

