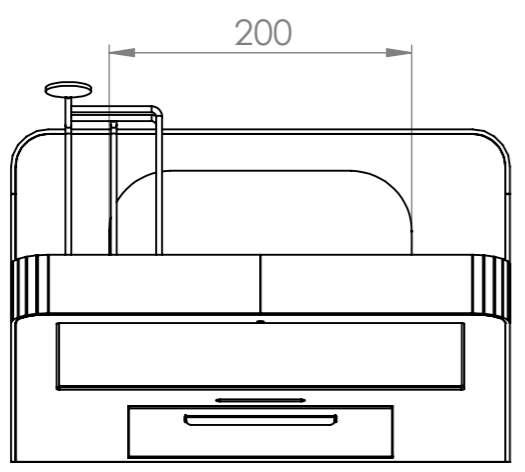
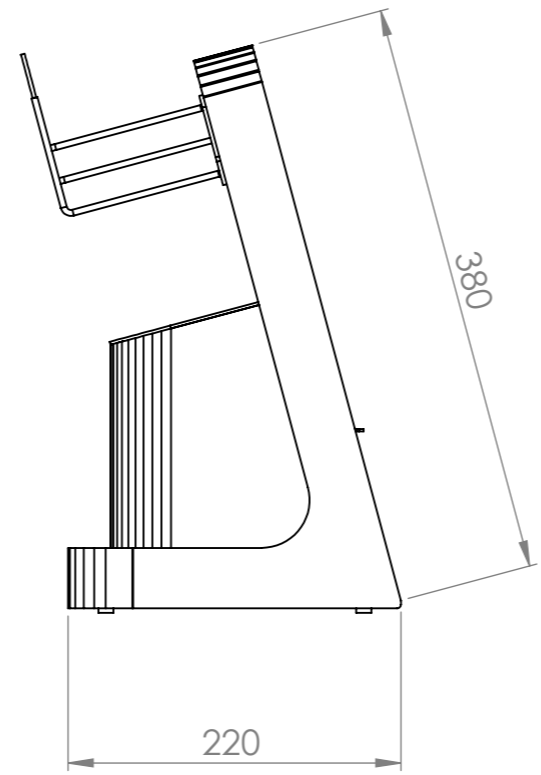
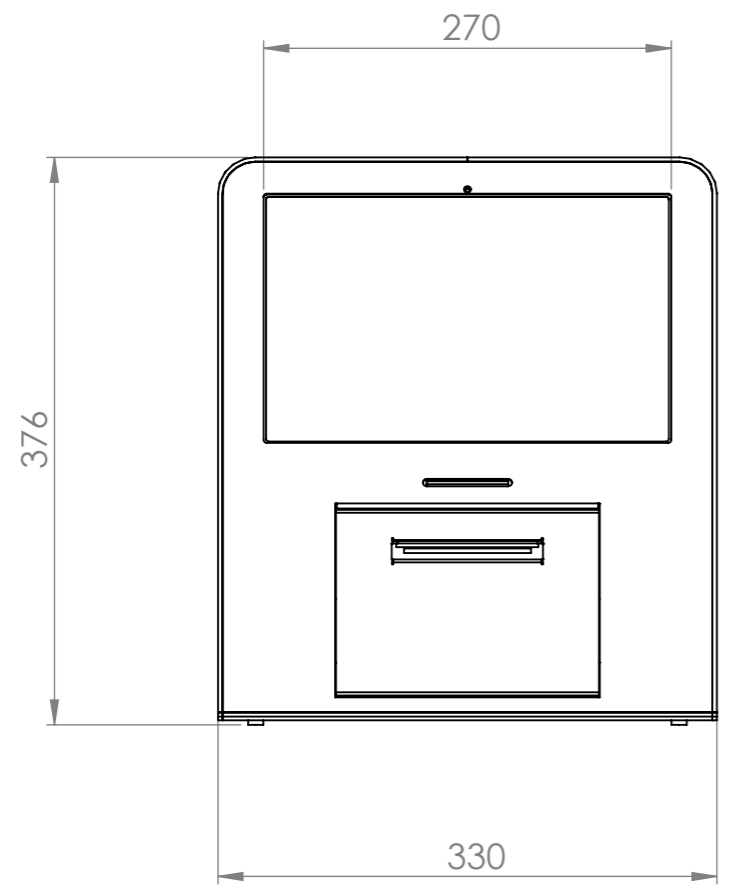
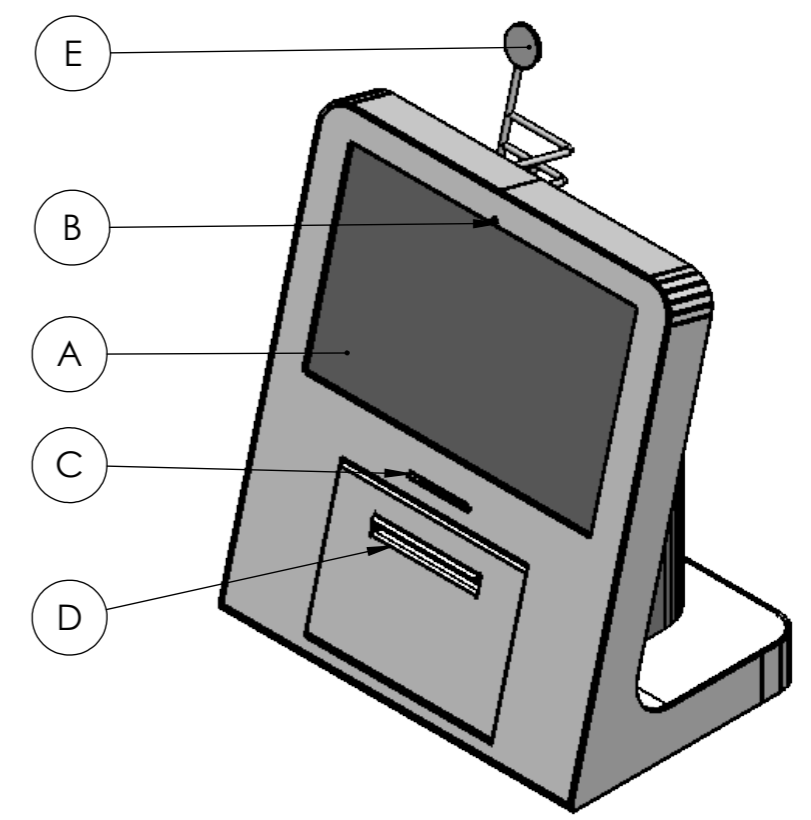



8 7 6 5 4 3 2 1

F
E
D
C
B
A



EV TRACK
 Custom desktop visitor kiosk
 Hardware :
 A : 12" touchscreen
 B : Front facing camera
 C : UAE ID card reader
 D : Printer
 E : Passport reader



| | | | | | | | | | | | |
|---|--|--|---------|--|------------------------------------|--|----------------------|--|---|--|--------------|
| UNLESS OTHERWISE SPECIFIED: DIMENSIONS ARE IN MILLIMETERS SURFACE FINISH: TOLERANCES: LINEAR: ANGULAR: | | | FINISH: | | DEBURR AND BREAK SHARP EDGES | | DO NOT SCALE DRAWING | | REVISION | | |
| DRAWN | | | NAME | | SIGNATURE | | DATE | | TITLE: | | |
| CHK'D | | | | | | | | |  | | |
| APPV'D | | | | | | | | | | | |
| MFG | | | | | | | | | | | |
| Q.A | | | | | | | | | | | |
| | | | | | | | MATERIAL: | | DWG NO. EV Track Desktop Kiosk DRW | | A3 |
| | | | | | | | WEIGHT: | | SCALE:1:20 | | SHEET 1 OF 3 |

8 7 6 5 4 3 2 1