

# VIP-02-V3 VISITOR KIOSK

VISITOR REGISTRATION AND  
AUTOMATED ACCESS CONTROL  
KIOSK SOLUTION



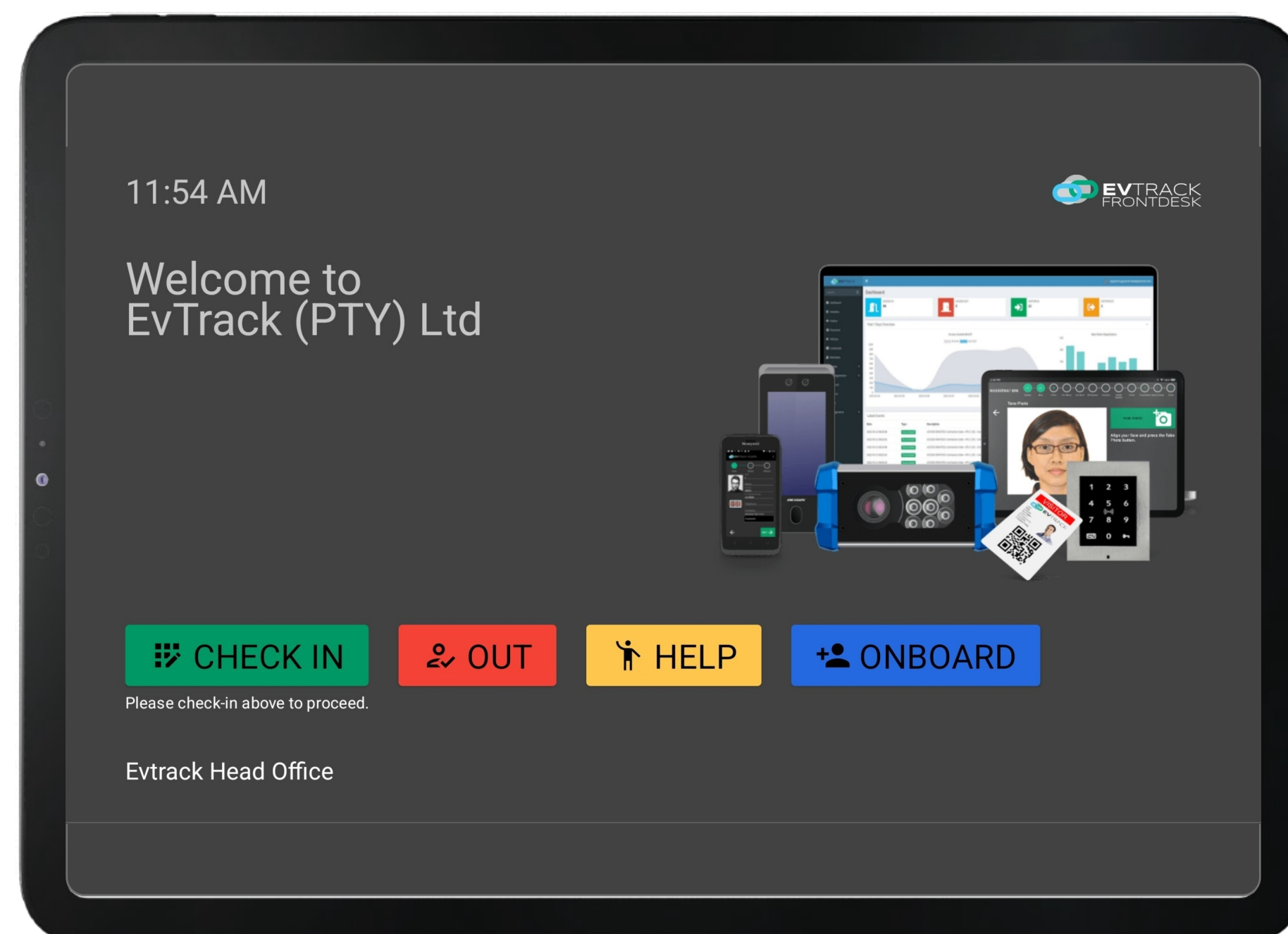
# Introduction

Designed to automate the visitor registration process, our visitor kiosk forms an integral part of the EvTrack eco-system and allows a visitor to self-register on arrival at the site. The EvTrack VIP-02-V3 is the ideal digital concierge and complements or replaces the security officer at the reception equating to manpower savings onsite. It also notifies the host after the registration is complete & sends a temporary QR code or OTP credential to the visitor in order to open an access control door, boom or turnstile. The solution consists of a rugged touchscreen kiosk suitable for desk or countertop installation with optional printer or passport reader.

## General Features

- ✓ Self Service Automated Visitor Kiosk
- ✓ Hi-Resolution Touchscreen Display
- ✓ QR Code Reading for Pre-Registered Visitors
- ✓ Hi-Speed Visitor Face Capture with Watermark
- ✓ Host Approval & Host Notification via Email or SMS
- ✓ QR Code Visitor Badge Printing (Model fitted with Printer)
- ✓ Wide Range of Access Control Integration
- ✓ Onboarding Function For Employees/Users

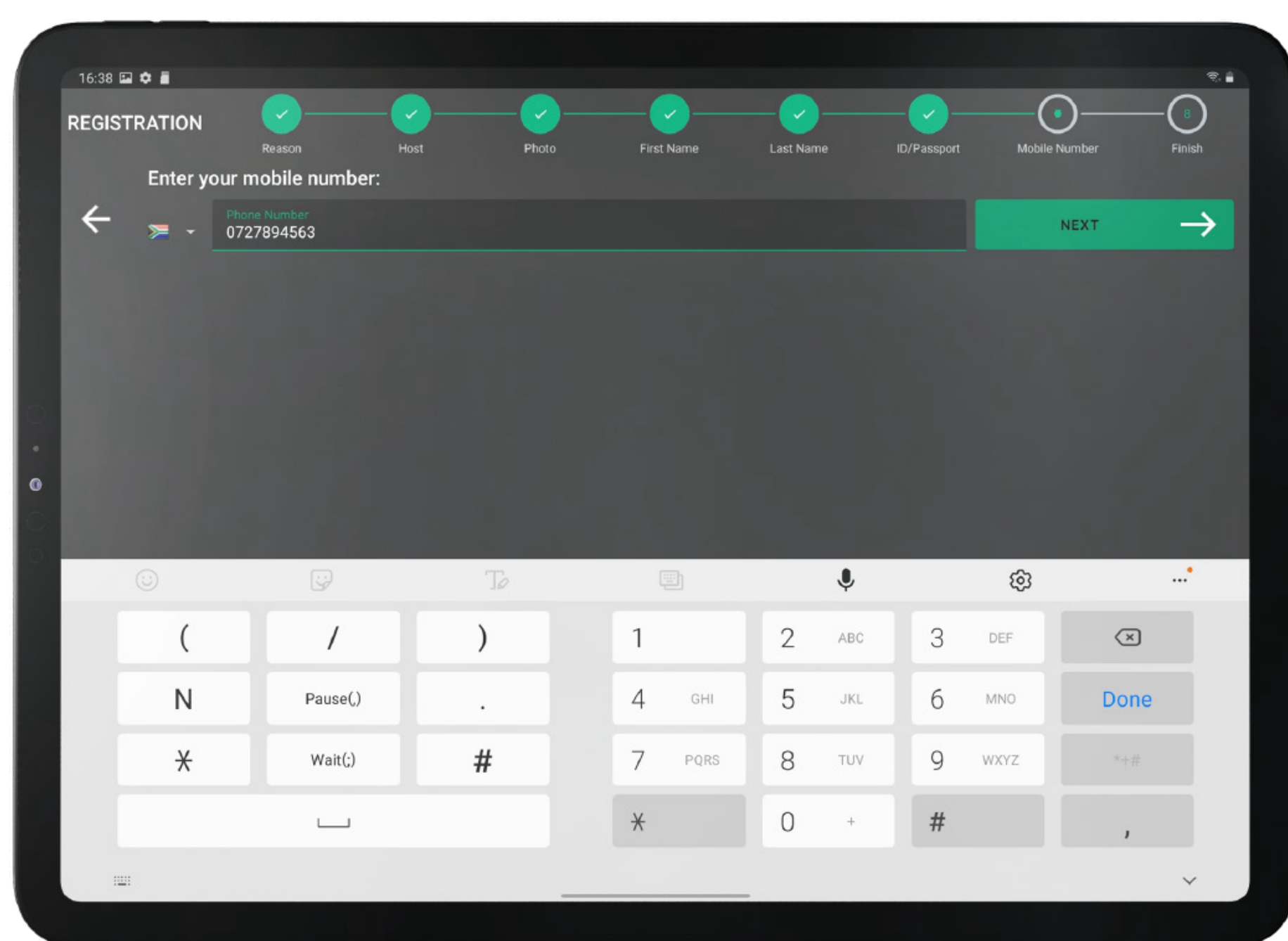
Optional ID/Passport Reader  
or Optional 2D Barcode ID Scanner  
or Optional Thermal Printer or Passport Reader



## Visitor Data Capture fields

Required visitor data capture fields can be configured for each site. Including:

- ✓ Host Name (Person Being Visited)
- ✓ Location (Location Such as Apartment No, House, Floor etc)
- ✓ Visit Reason (Configurable Via the Web Portal)
- ✓ Name + Last Name (Can be Set as Optional)
- ✓ Mobile or Telephone Number
- ✓ ID / Passport Number
- ✓ Company (Optional)
- ✓ Email Address (Optional)
- ✓ Physical / Postal Address
- ✓ Nationality / Country of Issue
- ✓ Custom Fields

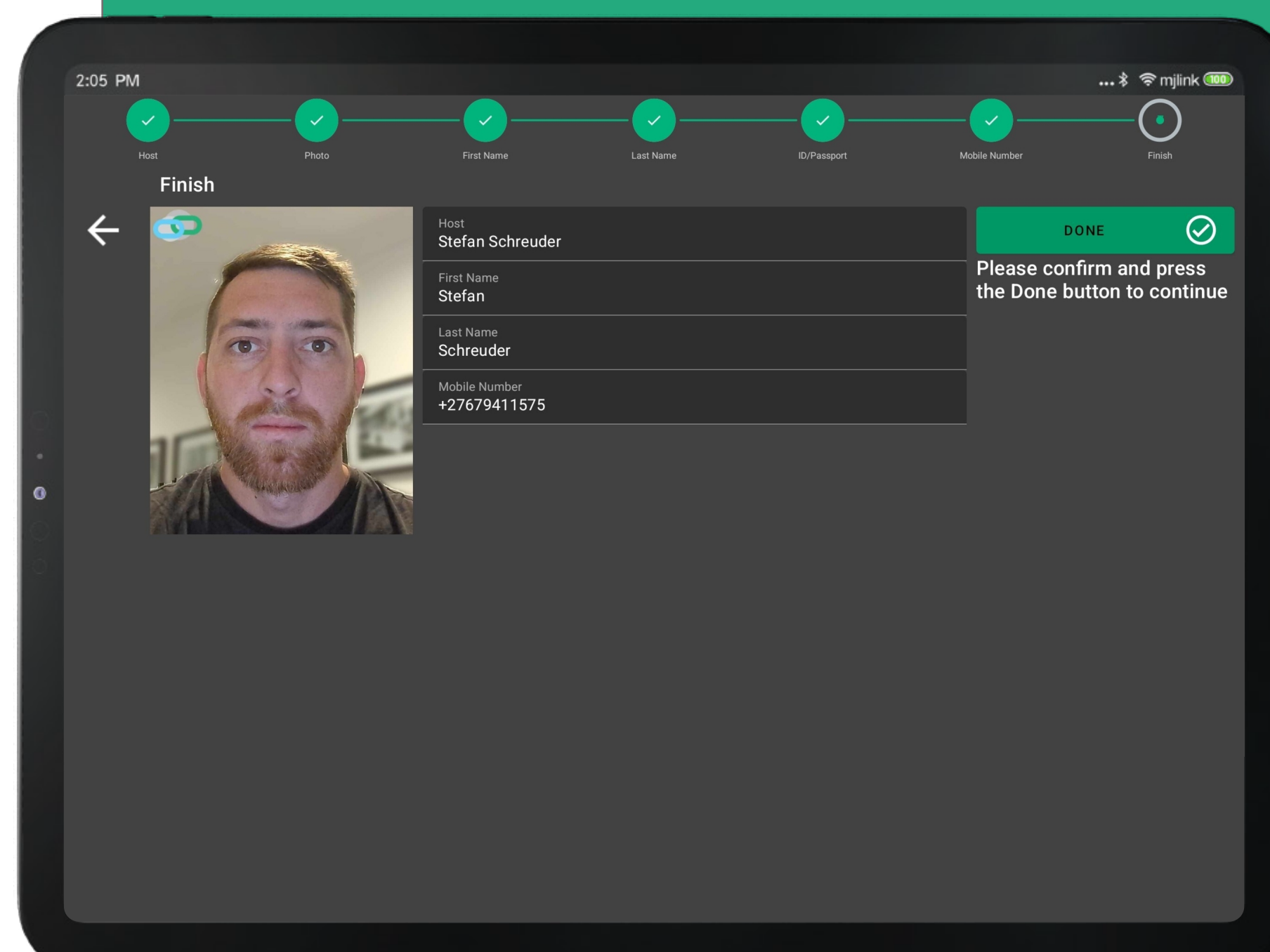


## Integrated Software AI

EvTrack's front desk application features various machine learning AI components to speed up the visitor process, to capture the best photos possible, as well as ID or passport capture and at the end of the day ensuring the correct person gains entry.

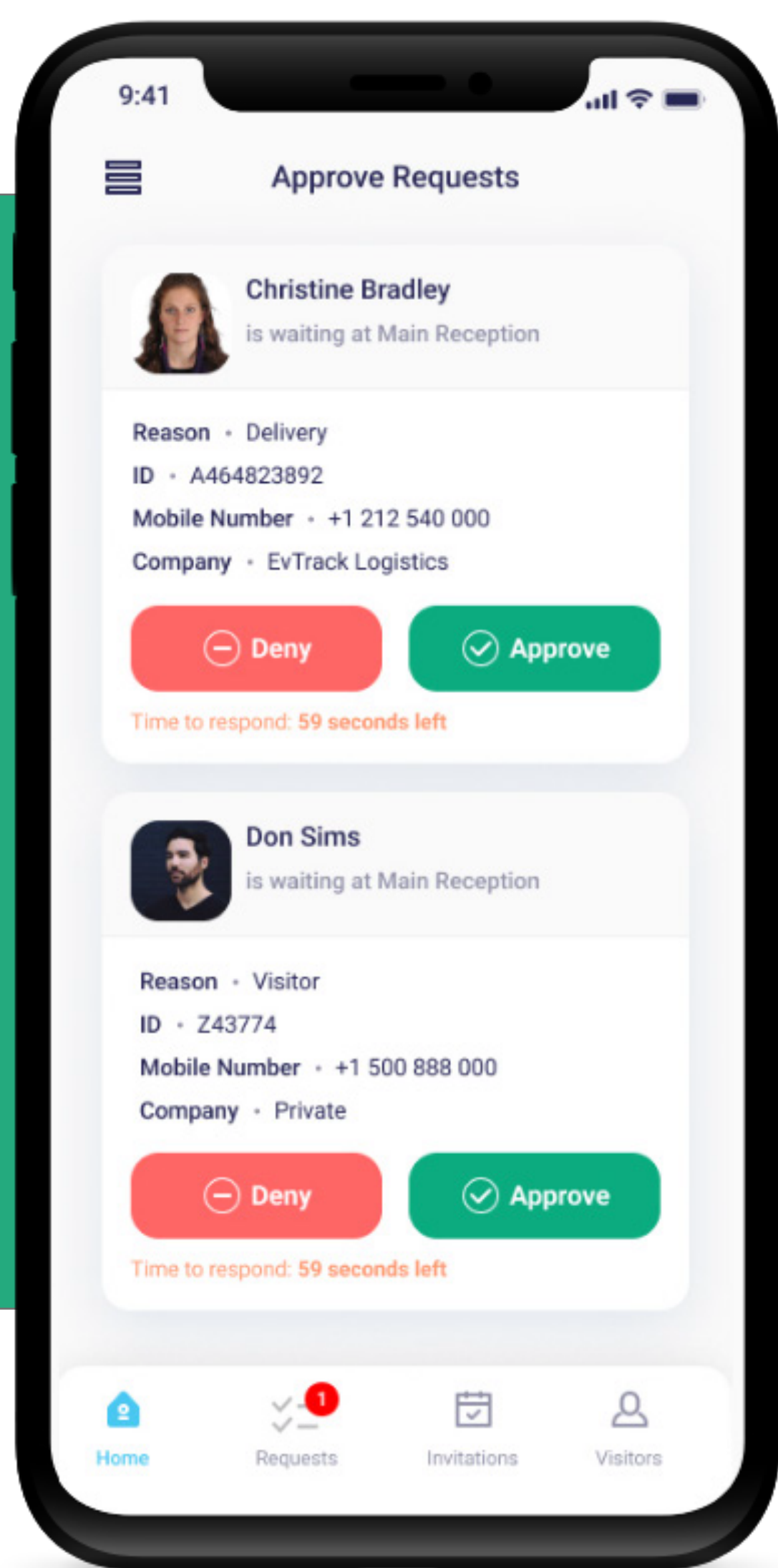
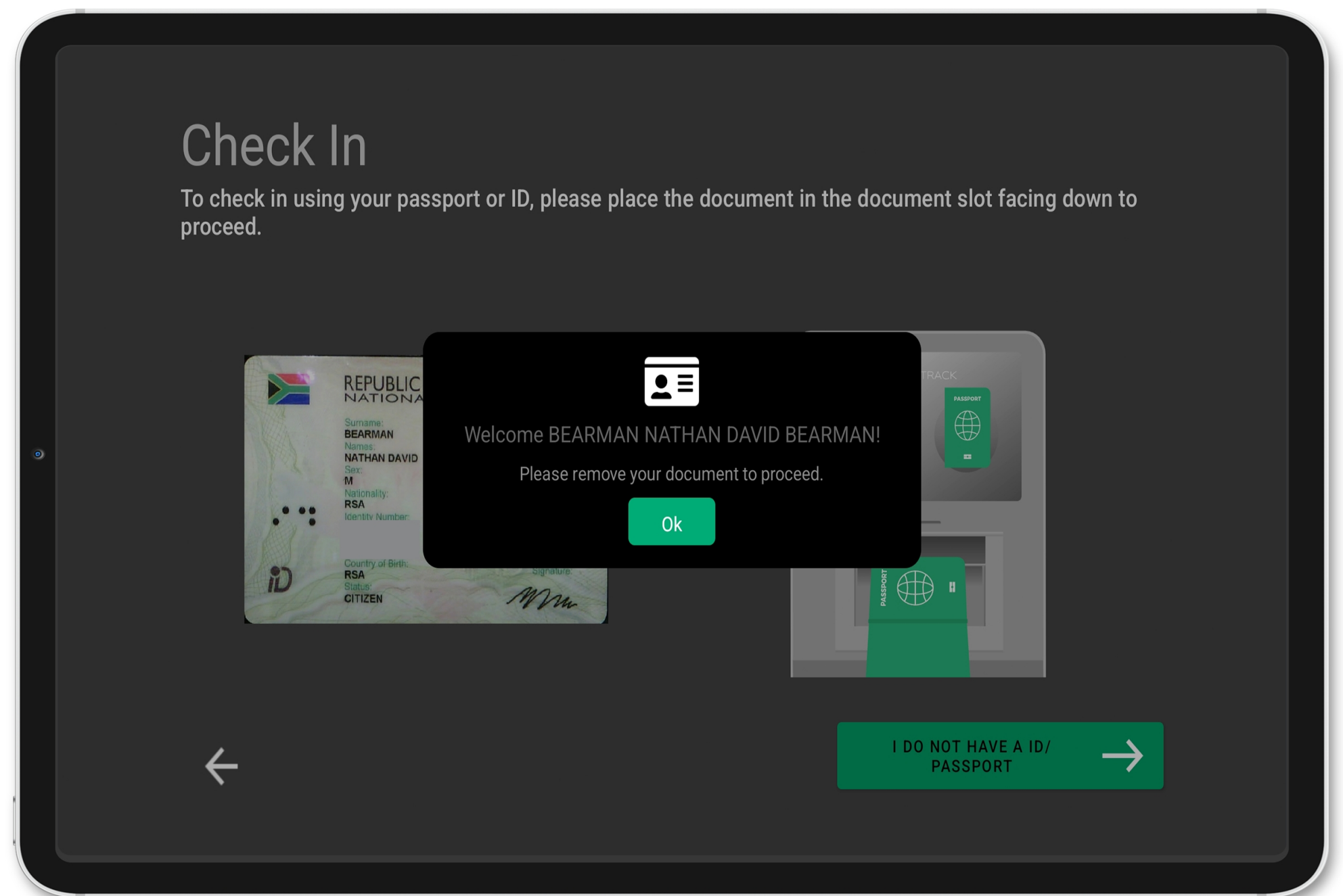
These functions include:

- ✓ Face Find, Angle Check, Crop, Background Blur + Watermark
- ✓ ID & Passport Face + ID Detail Extraction
- ✓ Pre-registered ID Versus Presented ID Verification
- ✓ Visitor Liveness Detection
- ✓ Visitor Face @ Kiosk Versus ID/Passport Verification



# ID & Passport Scanning

The VIP-02-V3 is available with various options for ID or passport scanning. This helps speed up visitor registration as visitor details can be automatically scanned into the system by the visitor presenting a passport or compatible ID card. We can support the identity documents from most countries including:



## Host Approval

Depending on the security required at the site, EvTrack Front Desk can be configured to request authorisation from a host.

After the visitor has completed the self-service registration process, a message is sent to the host with a photo, name & ID (optional) of the registered kiosk visitor.

Messages are received by the host via email, SMS or through the EvTrack client smartphone application (cloud only). The host can then choose to **approve** or **deny** the person access by selecting deny or approve.

After which the visitor receives a temporary access control credential to allow them access into the building via an access control gate, pedestrian turnstile, vehicle boom, elevator or access control door.

## Access Control Integrations

Providing seamless integration with access control hardware, EvTrack has extensive support for direct interfacing with IP Access Control Hardware from 2N and Axis. As well as IP Face Readers from Hikvision and SAFR.

QR Code or One-Time Pin Code credentials generated by the EvTrack Front Desk Solution are automatically transferred to the IP edge device for immediate visitor entry/exit access. Once the default use limit or expiry time/date has been reached, the credential is removed from the edge device. The host is also notified (via email or SMS) every time a visitor passes through an access control point.

EvTrack is also integrates with 3rd party access control solutions such as Genetec Security Centre, Gallagher & Suprema's Biostar 2.



# EvTrack VIP-02-V3 Visitor Kiosk

12" FHD  
Touchscreen  
Display

Facial Capture Camera



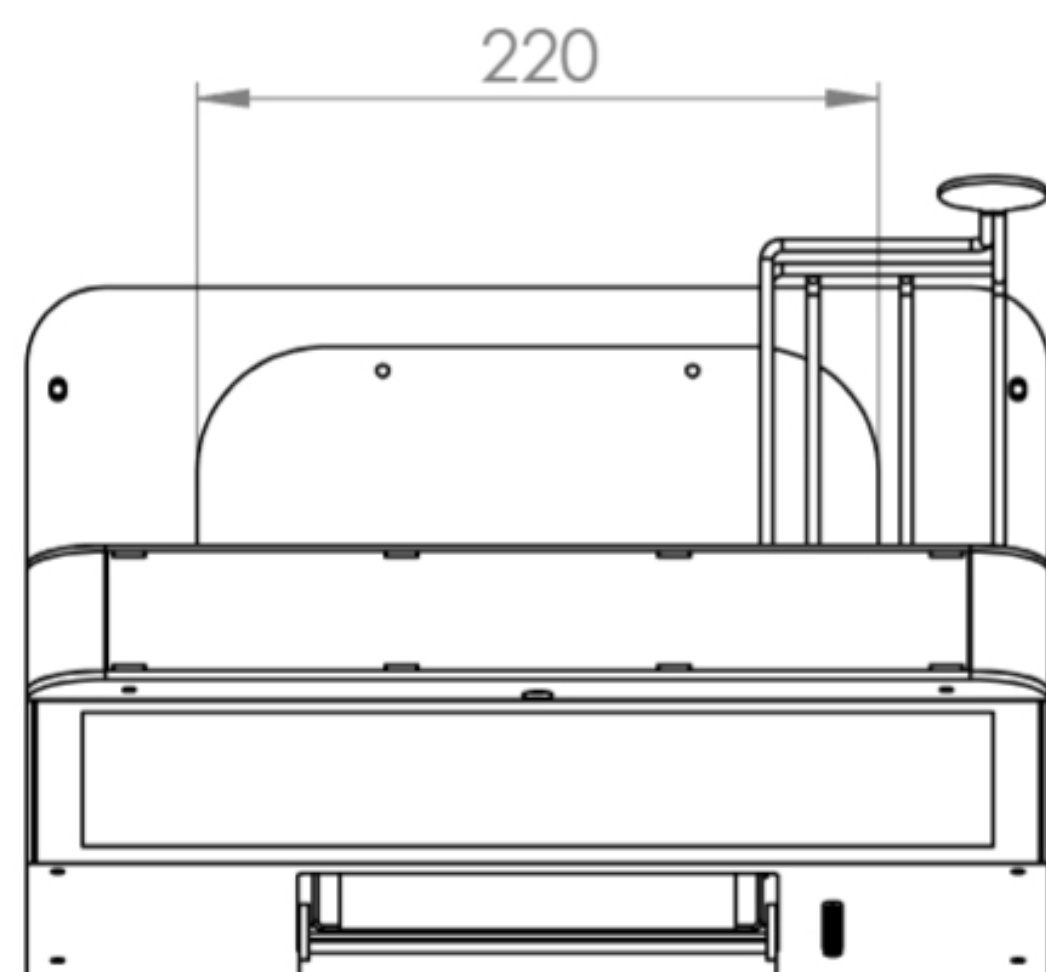
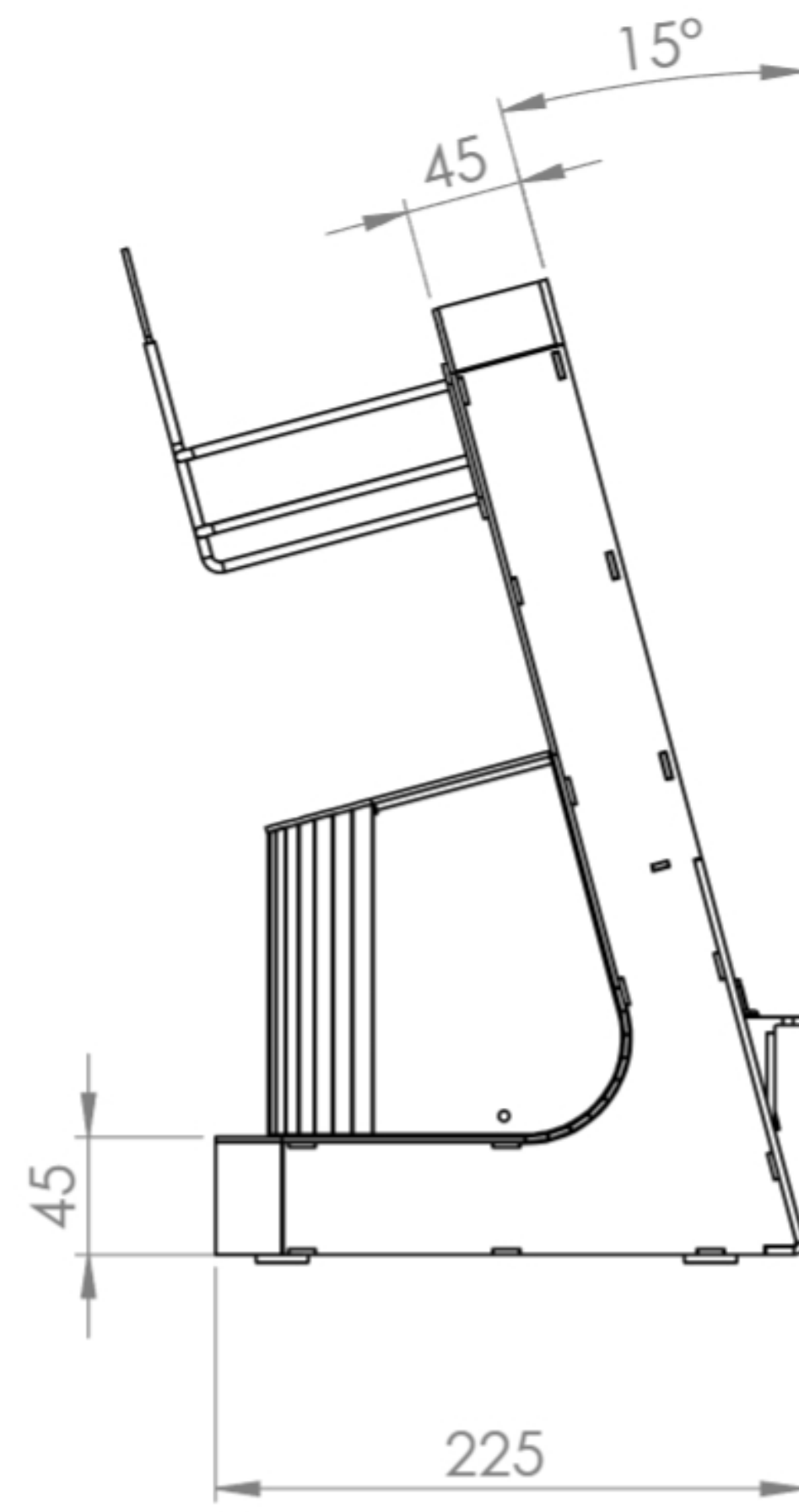
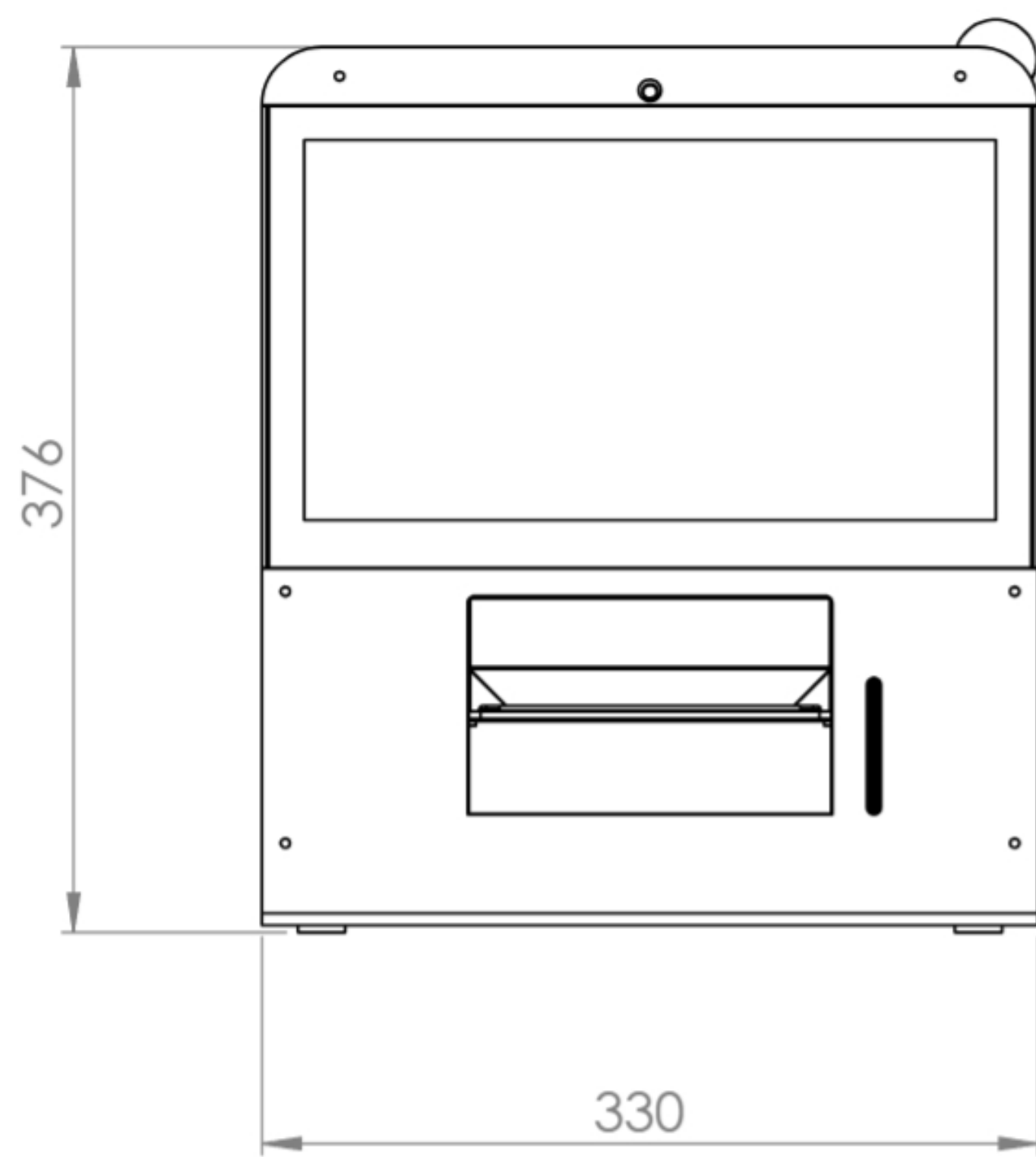
Optical  
Front Loading  
Passport  
and ID  
Document  
Reader  
**(Option 1)**

Optional  
Emirates ID  
smart card  
Reader

Thermal Printer **(Option 2)**

2D Barcode Scanner  
**(Option 3)**

## Mechanical Dimensions

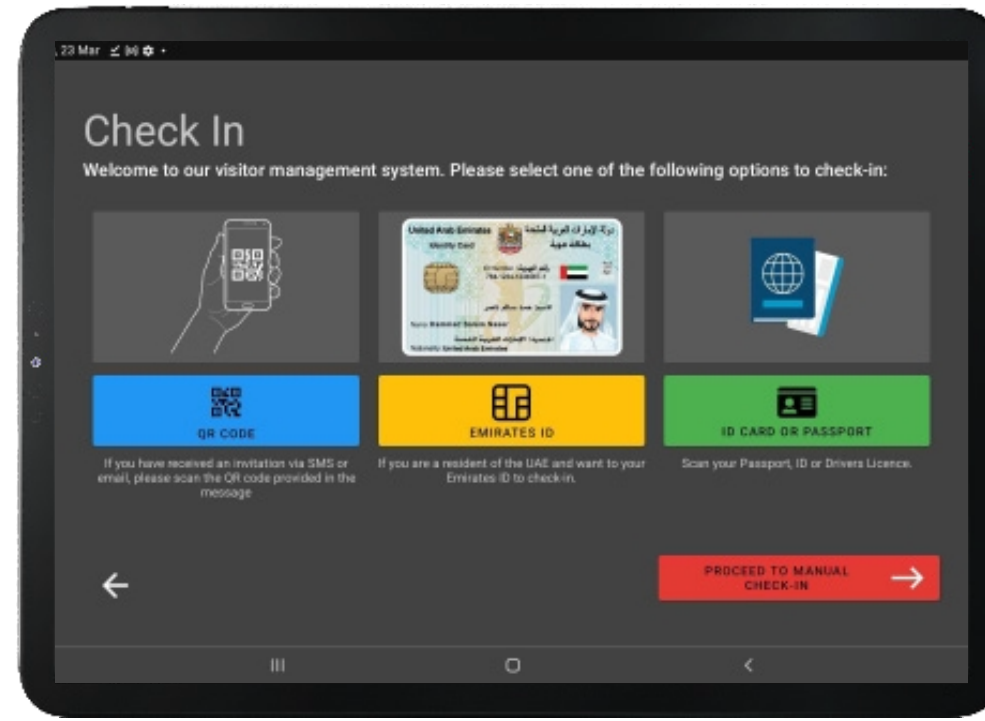


# Walk-In Visitor Workflow



01

Visitor arrives @ site and approaches Kiosk



02

Visitor selects menu option: Pre-Registered QR Code, ID Scan or Passport Scan



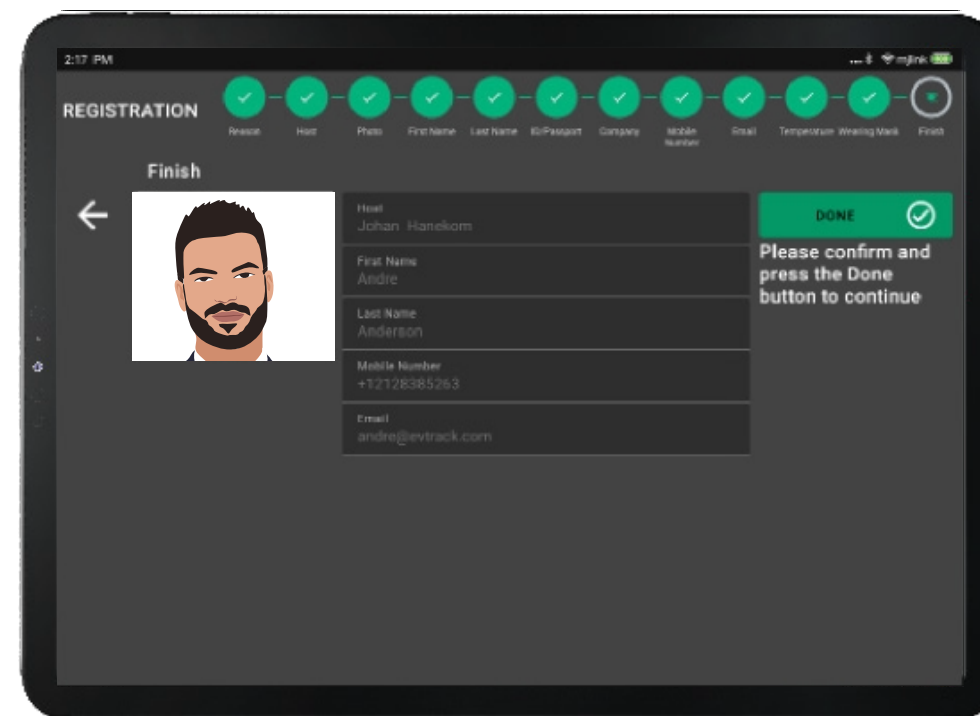
03

Visitor completes data entry by scanning ID/passport or by manually entering visitor data.



04

Visitor Captures Facial Image



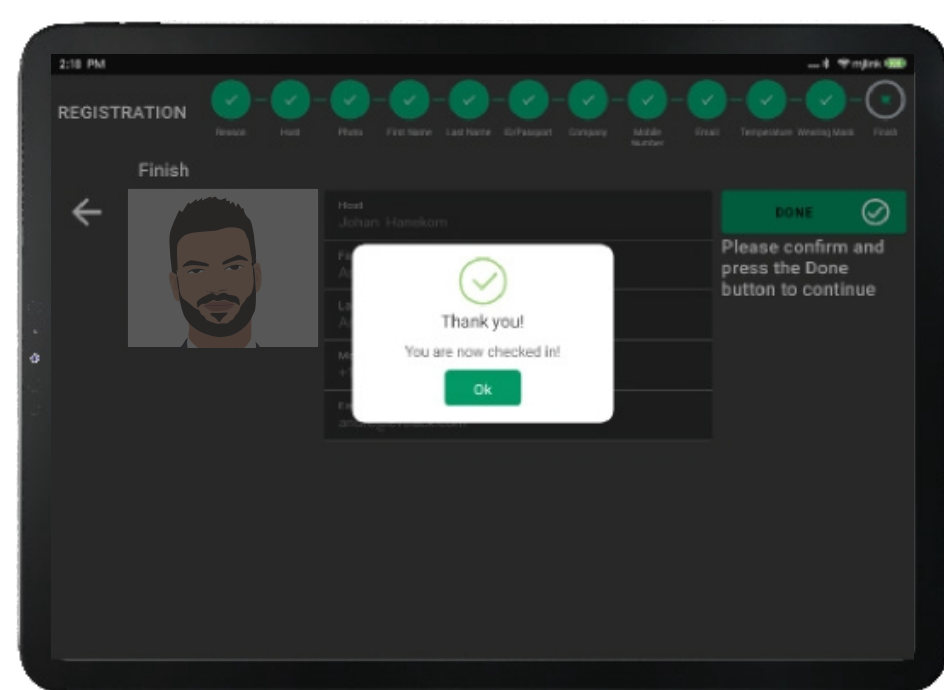
05

Visitor Confirms Captured Details



06

Host Receives Visitor Request and Approves or Denies Entry from smartphone App or Email



07

Kiosk Receives the Approval from the host



08

EvTrack server creates visitor's access control credential and adds it to the entry reader



09

Host Receives a notification of the visitor arrival via Email.

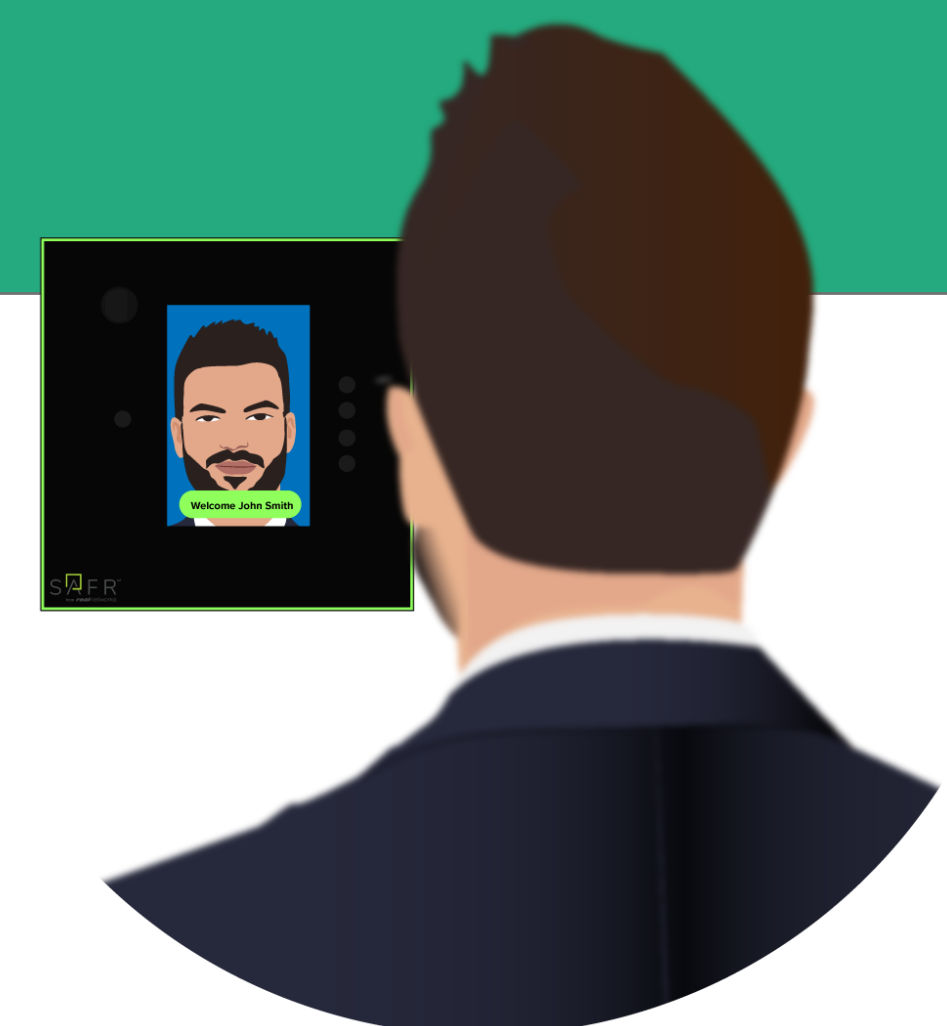
## Physical Access control After Registration on the kiosk



OR



OR



01

Visitor Presents QR Code to QR Code Access Control Door Reader For Entry

02

Visitor Uses OTP on the Access Control Keypad Reader Device

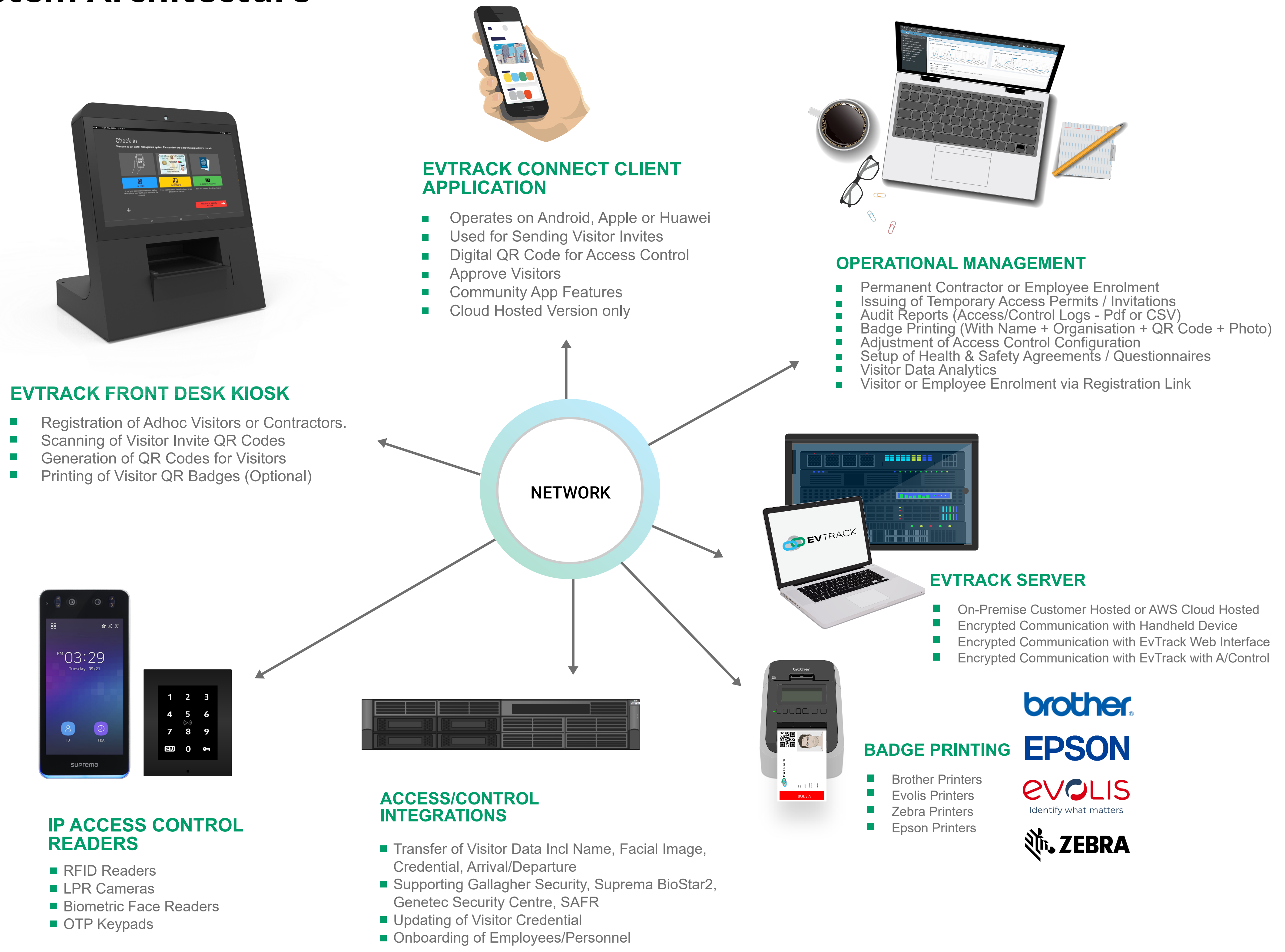
03

Visitor Presents Face to Biometric Access Control Face Reader

# Specifications

Screen	12" Hi-Definition Display with Touchscreen
Processor	Oct-Core ARM Processor
Camera (Front Facial Capture + QR Code Reading)	12 MP Fixed Focus Lens
2D Barcode Scanner For Scanning US + RSA Drivers Licenses + RSA ID CARDS	Yes (Option 3)
Emirates ID Card Scanner	Yes (Optional)
Communication	Gigabit Ethernet or Dual Band 802.11 ac WIFI
Power	110~230VAC
Material	Powder-Coated Steel + Aluminium (Black Std)
Dimension	330 x 225 x 375 mm

## System Architecture



## Distributed By